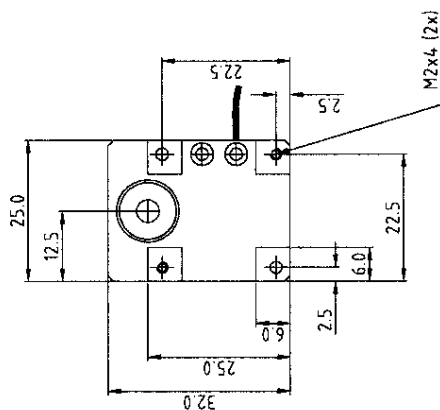


Top



Bottom

ORIGINAL

part.-no.	part.-name
T-102-06	PZ38-CAP
date	OK / Sign.
18. DEZ. 2000	<i>Ma</i>
file name	customers drawing
PT10206	piezosystem jena