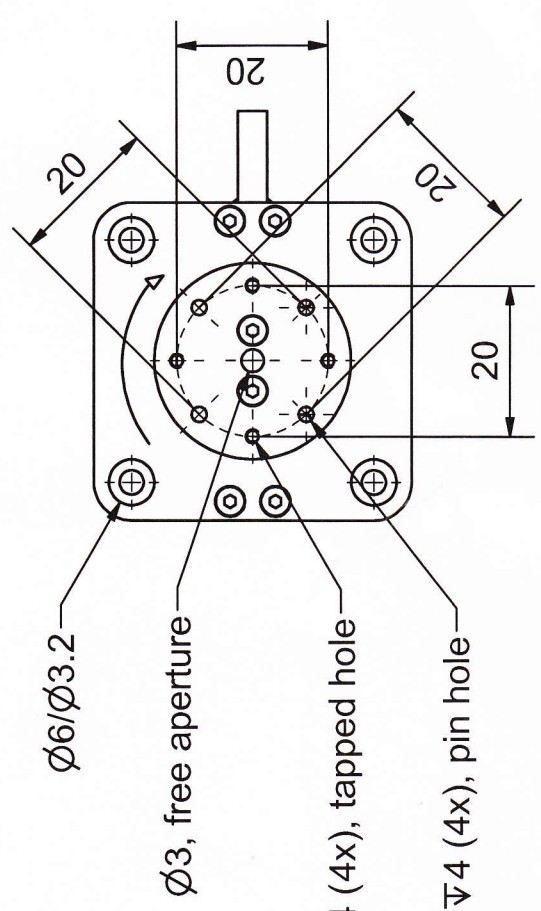
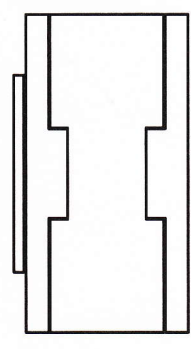
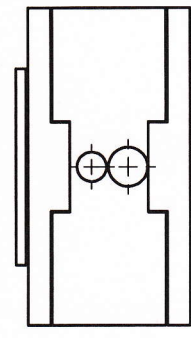
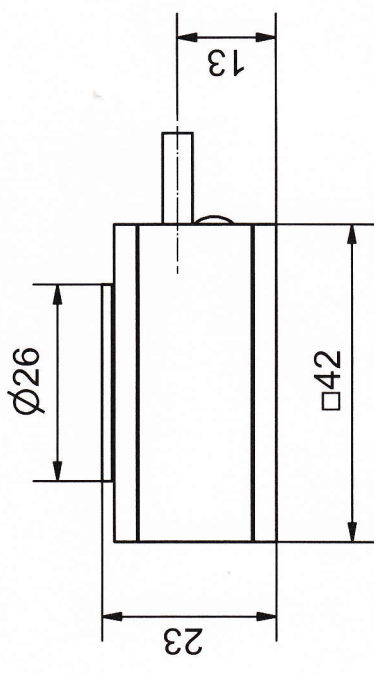
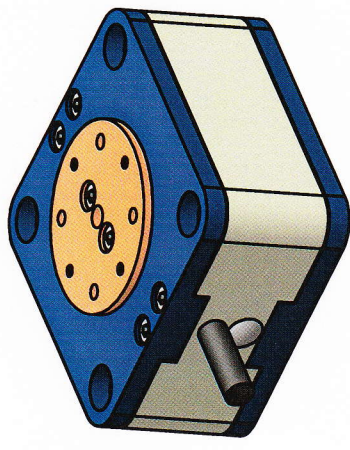
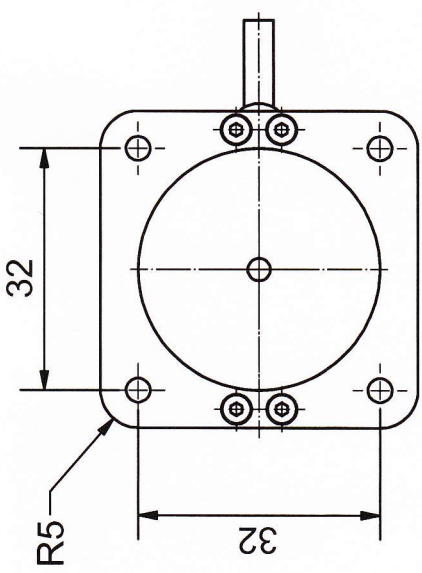


┌



ORIGINAL

part.-no.	K 810 00	part.-name	ROTOR10
file name	K 810 00 KZ.idw	OK: date/sign.	28.SEP.2009
	scale	customers drawing	
	1:1	piezosystem jena	

\\neiscomor1\K\mechan\lib\001\IKT\ION\K810\K 810 00\K 810 00 KZ.idw